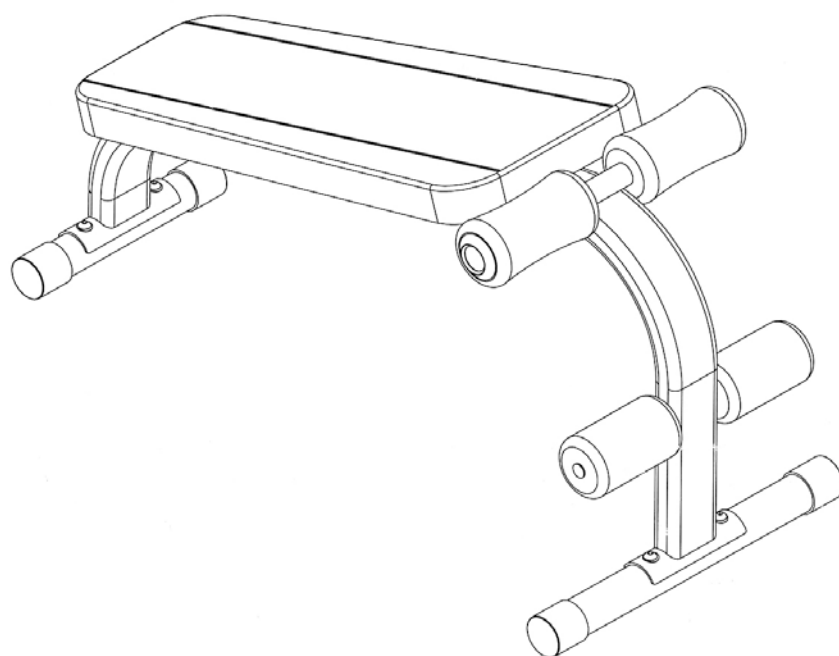


# MARCY<sup>®</sup>

## ABDOMINAL BENCH

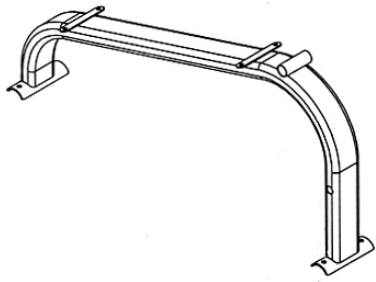
### SB-10112



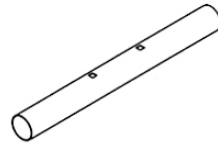
**IMPORTANT:** Please read the Important Safety Notice and Assembly Information in the Owner's manual before assembling this product.

**Assembly Manual**

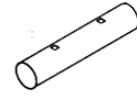
140707



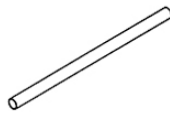
①×1



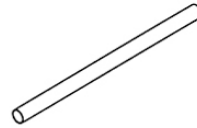
②×1



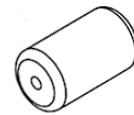
③×1



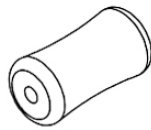
④×1



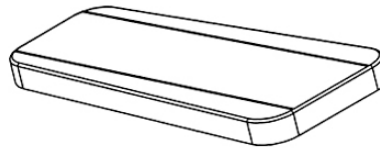
⑤×1



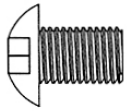
⑭×2



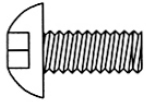
⑮×2



⑧×1



⑥ × 4



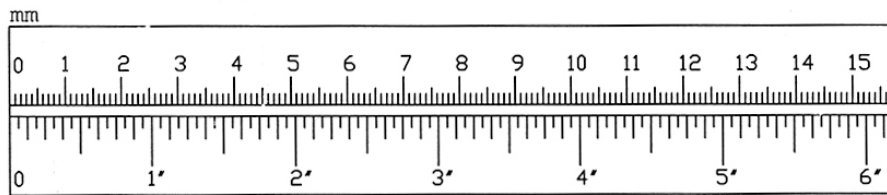
⑦ × 4




⑨ × 4




⑩ × 4

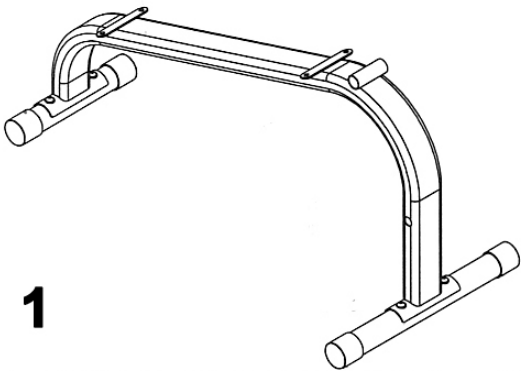
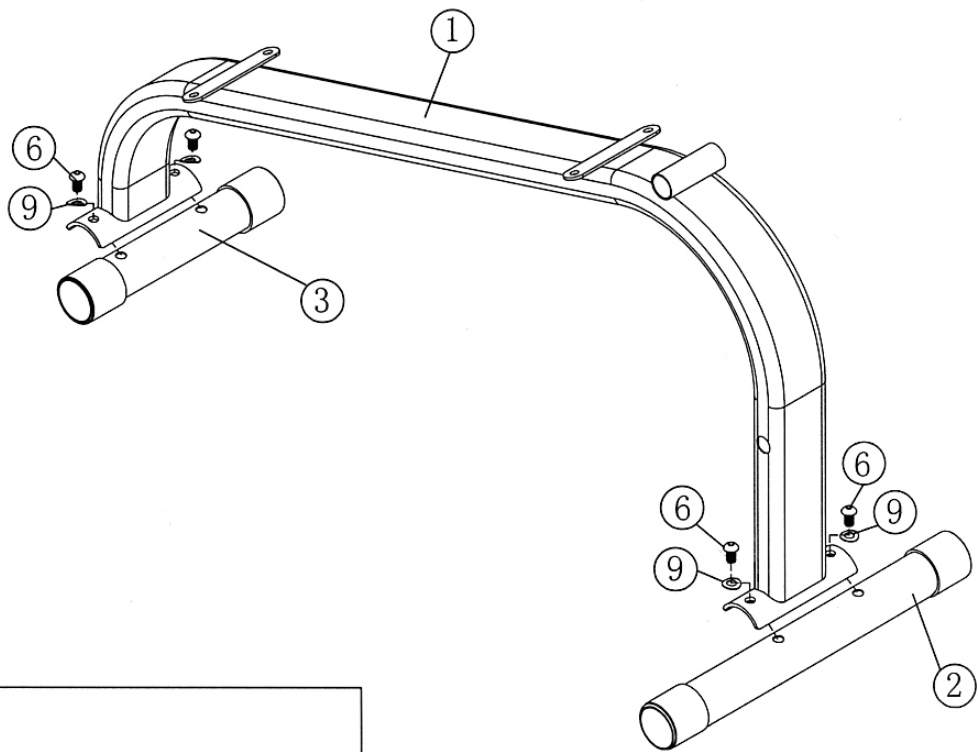
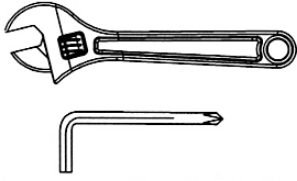


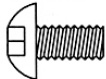

⑥ × 4 

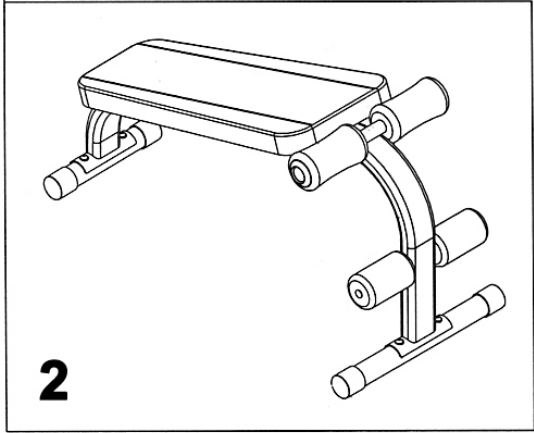
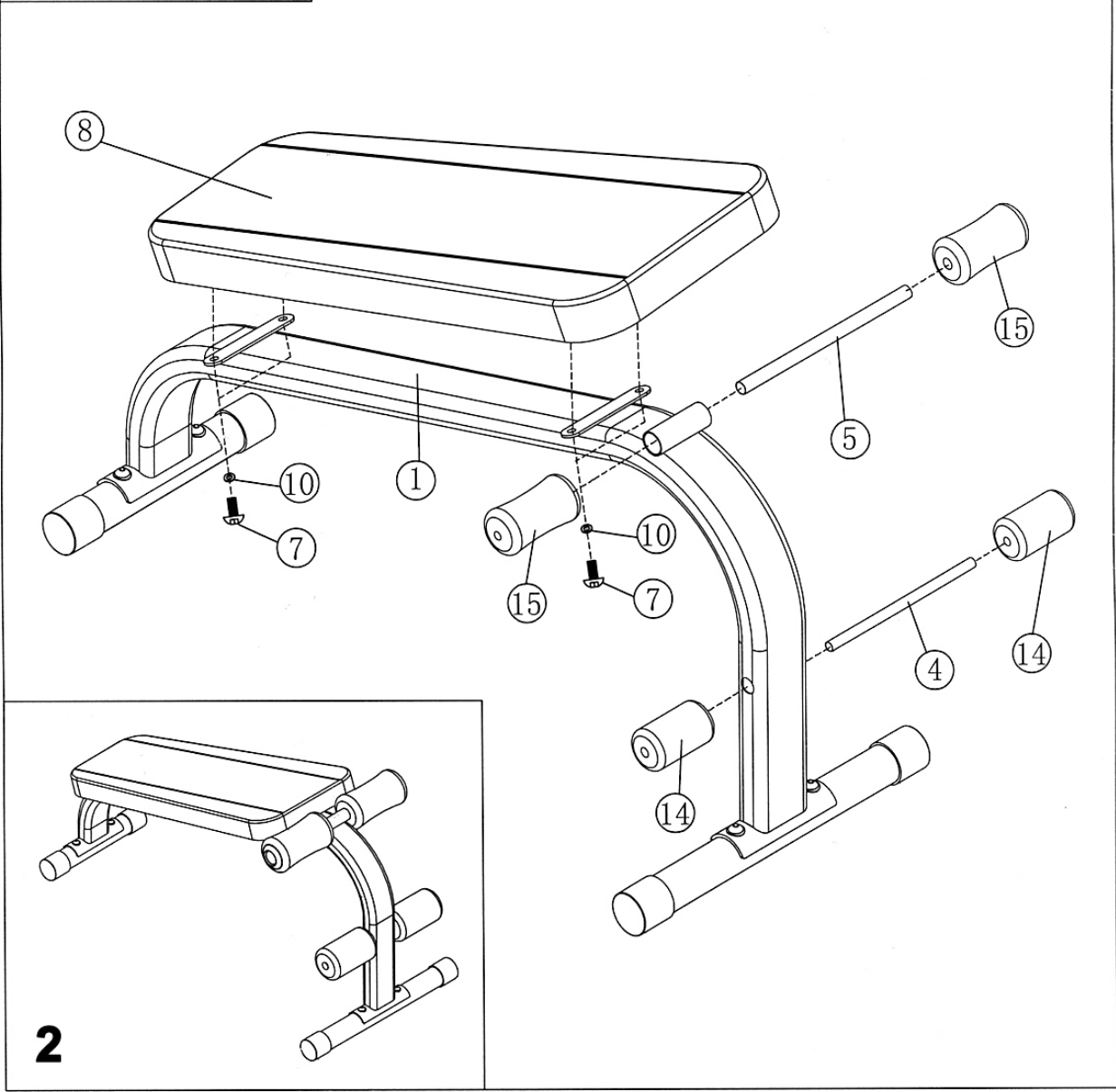
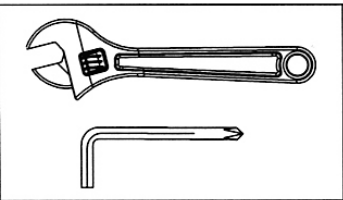
M10 x  $\frac{5}{8}$ "

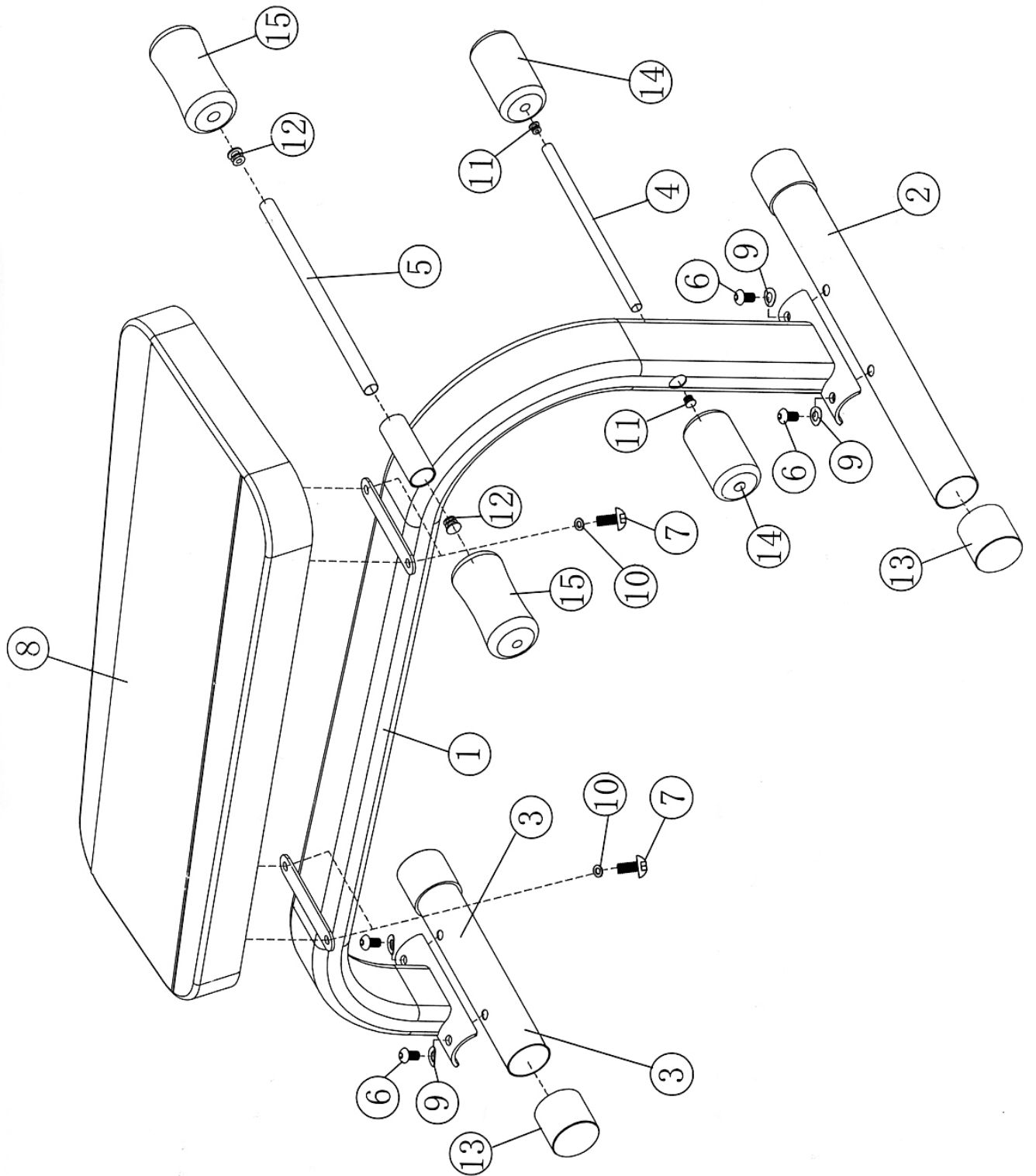
⑨ × 4 

Ø  $\frac{3}{4}$ "



- ⑦ × 4  M8 x  $\frac{3}{4}$ "
- ⑩ × 4  Ø  $\frac{5}{8}$ "





**IMPEX® INC.**

2801 S. Towne Ave, Pomona, CA 91766

Tel: (800) 999-8899 Fax: (626) 961-9966

**[www.impex-fitness.com](http://www.impex-fitness.com)**

**[support@impex-fitness.com](mailto:support@impex-fitness.com)**